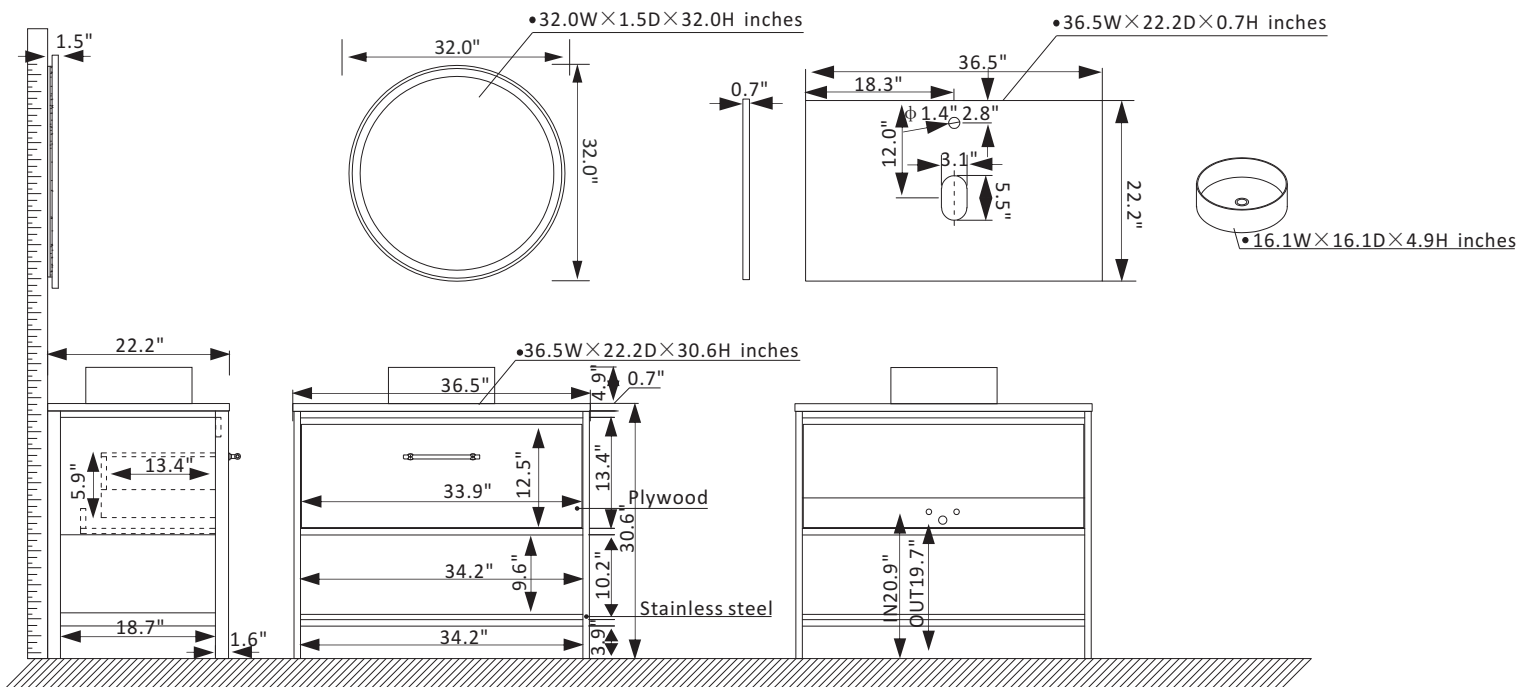


Vinnova Murcia Vanity Collection 701336-MXO-GW



Features

Matte-Black metal bracket support base and plywood construction for superior durability.

Available in Mexican Oak finish to complement your contemporary décor.

White composite grain stone countertop for a clean, elegant look.

Modern, ceramic vessel sink with overflow opening included.

1 soft-close drawer with plenty of storage for all your toiletries.

Matte-black finish hardware for a touch of style and contrast.

Spacious open shelf below is perfect for towels or decorative items.

Single matching LED mirror coordinates perfectly with vanity.

Pre-drilled and designed for easy plumbing and faucet installation.

** Does not include faucet, drain assembly, P-trap or backsplash*

VINNOVA
FASHION BATHROOM LIFE